

MIDPOWER LED

CODE	MODULE POWER	LUMINAIRE POWER	MODULE LUMINOUS FLUX	LUMINAIRE LUMINOUS FLUX	COLOR TEMPERATURE
45-28-40-48-XX-X	36W	40W	5740lm - 6040lm	5166lm - 5436lm	3000K-4000K
45-28-50-48-XX-X	45W	50W	6846lm - 7204lm	6162lm - 6484lm	3000K-4000K

POWER LED

45-28-60-48-XX-X	55W	60W	8233lm - 8840lm	7409lm - 7957lm	3000K-4000K
45-28-70-48-XX-X	64W	70W	9398lm - 10091lm	8458lm - 9082lm	3000K-4000K
45-28-80-48-XX-X	73W	80W	10495lm - 11270lm	9445lm - 10142lm	3000K-4000K
45-28-40-48-XX-R	36W	40W	2314lm	2083lm	RED
45-28-50-48-XX-R	46W	50W	2791lm	2512lm	RED
45-28-60-48-XX-R	55W	60W	3245lm	2920lm	RED
45-28-70-48-XX-R	64W	70W	3673lm	3306lm	RED
45-28-80-48-XX-R	73W	80W	4090lm	3681lm	RED
45-28-40-48-XX-G	36W	40W	4440lm	3996lm	GREEN
45-28-50-48-XX-G	45W	50W	5164lm	4648lm	GREEN
45-28-60-48-XX-G	55W	60W	5800lm	5220lm	GREEN
45-28-70-48-XX-G	64W	70W	6373lm	5736lm	GREEN
45-28-80-48-XX-G	73W	80W	6907lm	6216lm	GREEN
45-28-40-48-XX-B	36W	40W	1625lm	1463lm	BLUE
45-28-50-48-XX-B	46W	50W	1908lm	1718lm	BLUE
45-28-60-48-XX-B	55W	60W	2162lm	1946lm	BLUE
45-28-70-48-XX-B	64W	70W	2394lm	2155lm	BLUE
45-28-80-48-XX-B	73W	80W	2605lm	2345lm	BLUE

XX : Lens Angle, X : Led Color
Standard color temperature 4000K, also available with 6500K on request.

USED POWER SUPPLY BRANDS

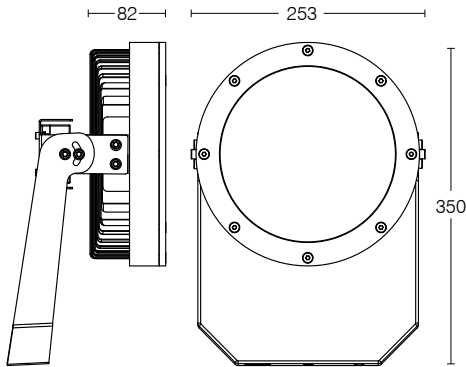


USED LED BRANDS

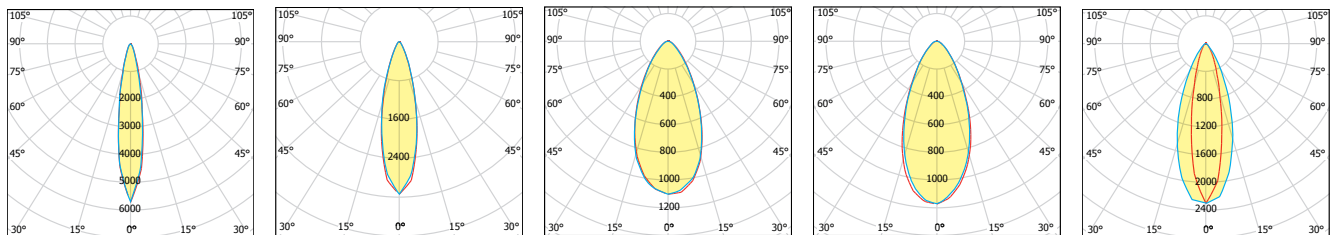


ROON S

EN 60598 | IK09 | IP66 | CE



Photometric Curves



Technical Specifications

Floodlight made of aluminium die cast	DALI controllable (Optional)
Galvanized steel fittings	0-10V / 1-10V controllable (Optional)
Clear 5mm safety glass	Safety Class I
Silicon rubber gasket	Protection class IP66
Swivel range 80°	Impact strenght IK09
Mounting bracket made of steel with	Operation temperature -25°C / +55°C
Electrostatic powder coating	Wind catching area: 0,09m²
Lens angle 15°-40°-60°-90°-15°x40°	Weight: 5,96 kg
Color standard MT-X6-23, optional RAL codes	EULUMDAT files available
Input 100 - 305V AC 50 / 60 Hz	Complies with European standards
Power factor (min.) 0,92	EN 60598 and CE certificate
Mono color (Standard)	6kV surge protection (10kV optional)

CCT tolerance within a 3 step MacAdams ellipse and LM80 compliant

Lifetime 50.000 working hours at least



Scan QR Code to get all technical documents and the other updated files for this product.

